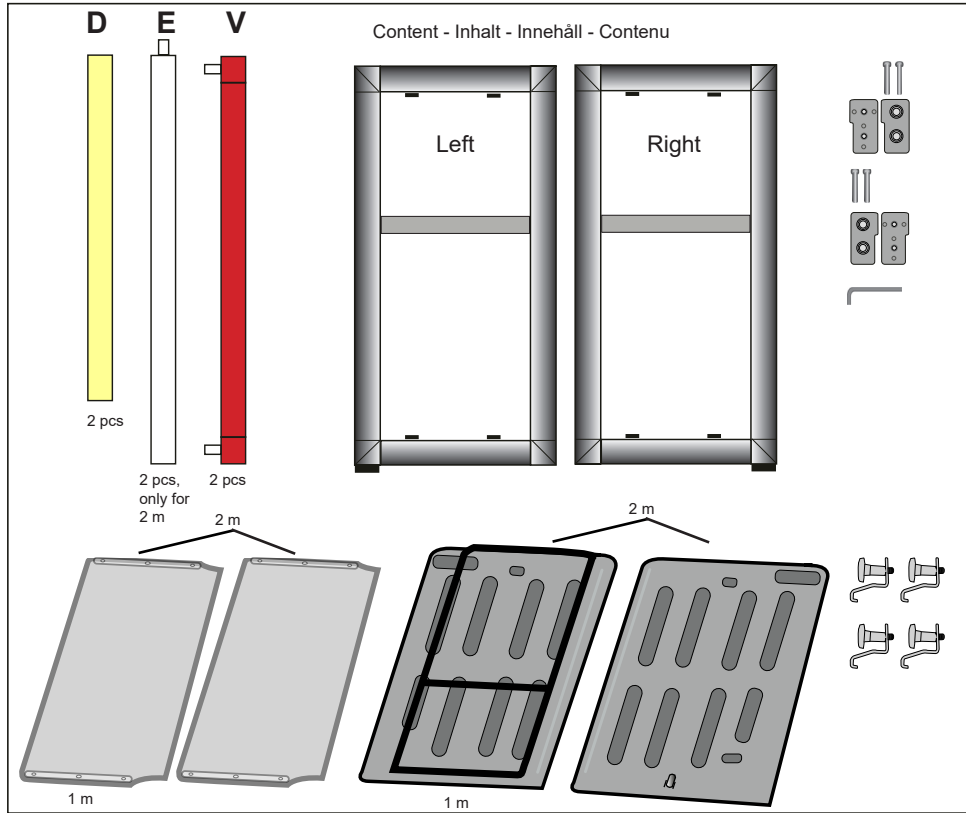


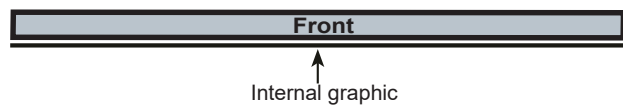
# Classic Frame Counter 1m & 2m



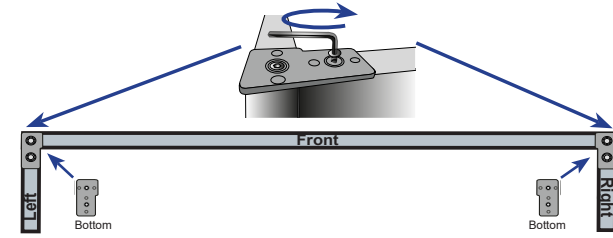
1 - Assemble the front frame



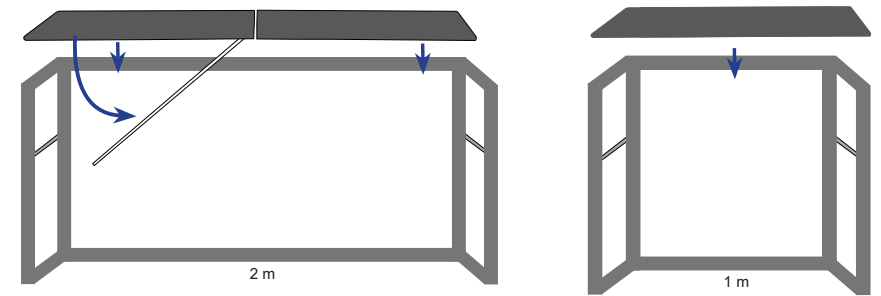
2 - If internal graphic is used it must be mounted at this stage. The outside graphic can be mounted now or at the final stage.



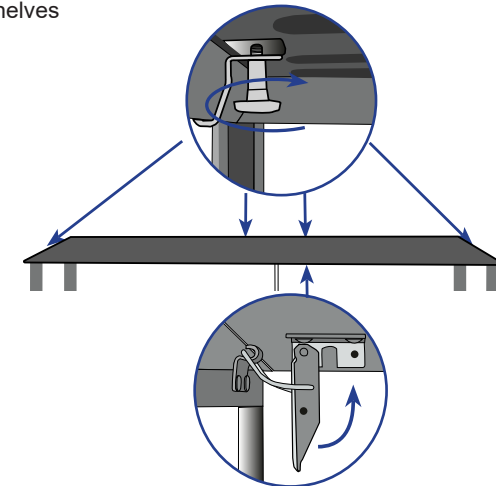
3 - Connect the frames with top and bottom connectors



4 - Mount the top shelves and fold down the middle support



5 - Secure the top shelves



6 - Hang the shelves on the bars

